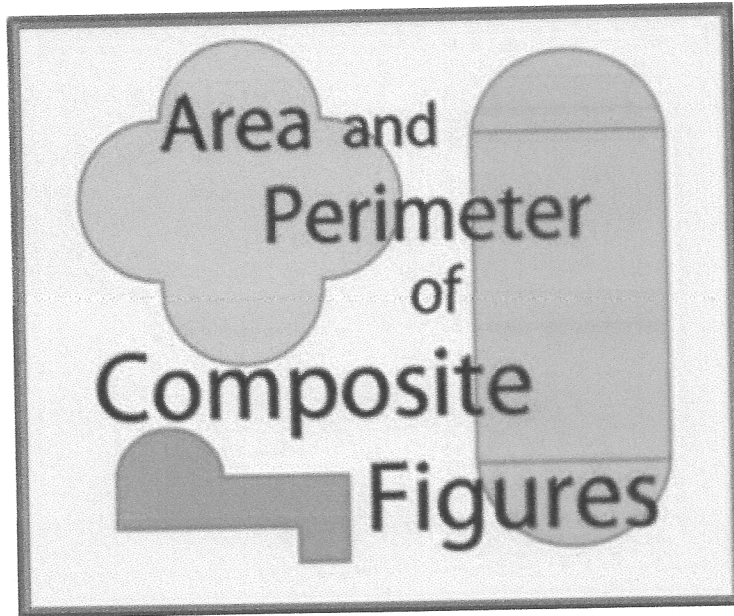


Name _____

Period _____



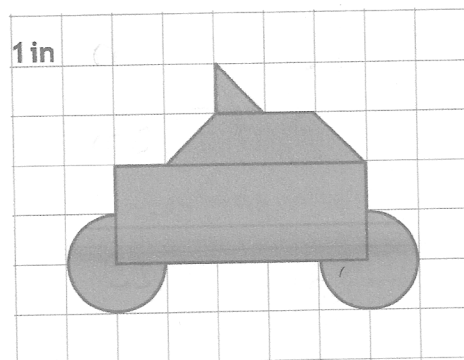
Composite figures are figures that can be divided into more than one of the basic figure.

Below is an example of a composite figure

because it is made up of multiple shapes. To find the

area of the composite figure, you must

find the area of each shape and add them together.

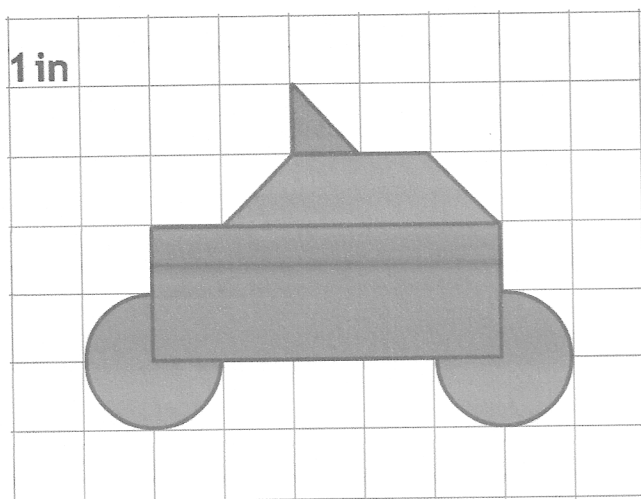


Procedure for finding the perimeter and area of composite figures:

It is important that you keep your work organized as demonstrated in the steps below:

Step 1: To find the perimeter, add up the OUTSIDE EDGES ONLY of the whole composite figure. This will be the perimeter of the figure.

Step 2: To find the area, divide the figure into smaller shapes. (This can be done by putting in lines to divide the shapes as shown in the figure below).



Step 3: Label the divided "new" figures. The shape below is labeled A, B, C, and D.

Step 4: Organize your work in the following way:

$$\text{Figure A Triangle} = \frac{1}{2}(b \cdot h) = \frac{1}{2}(1 \cdot 1) = \boxed{\frac{1}{2} \text{ in}^2}$$

$$\text{Figure B Trapezoid} = \frac{1}{2}(b_1 + b_2)h = \frac{1}{2}(2 + 4)(1) = \boxed{3 \text{ in}^2}$$

$$\text{Figure C Rectangle} = b \cdot h = 5 \cdot 2 = \boxed{10 \text{ in}^2}$$

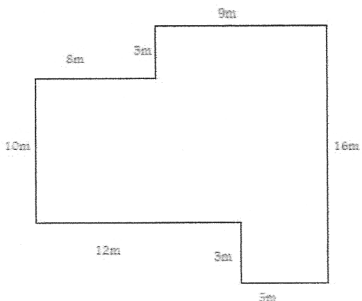
$$\text{Figure D Circles} = \pi r^2 = 3.14(1)^2 = 3.14 \times 2 = 6.28 \left(\frac{3}{4}\right) = \boxed{4.71 \text{ in}^2}$$

Step 5: Add the areas of all the figures together.

$$\begin{array}{rcccccc} \text{Figure A} & + & \text{Figure B} & + & \text{Figure C} & + & \text{Figures D} & = & \text{Total} \\ \hline 0.5 & + & 3 & + & 10 & + & 4.71 & = & 18.21 \text{ in}^2 \end{array}$$

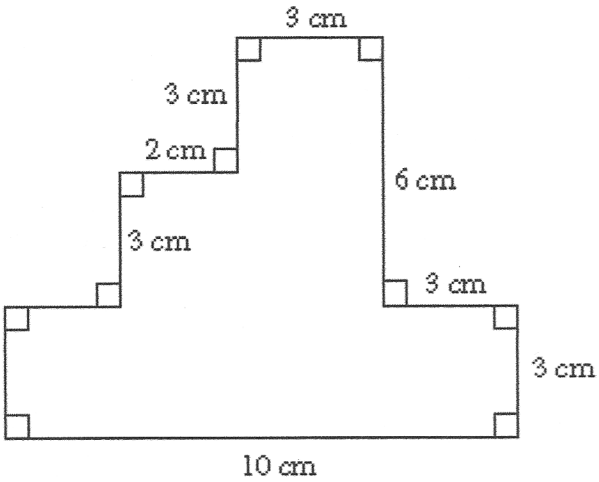
Composite Figure Worksheet

1)



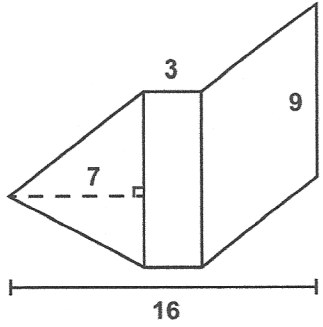
1)

2)



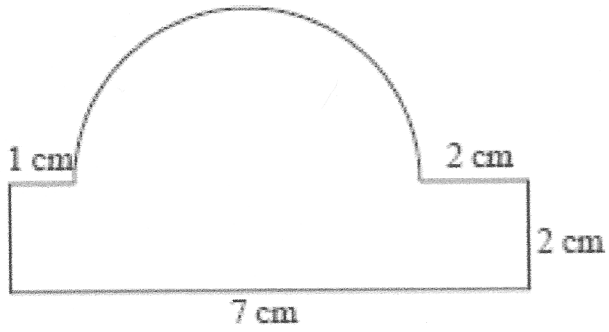
2)

3)



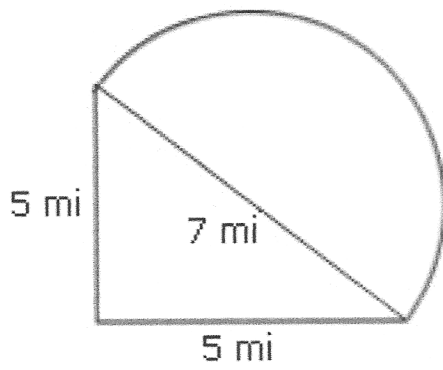
3)

4)



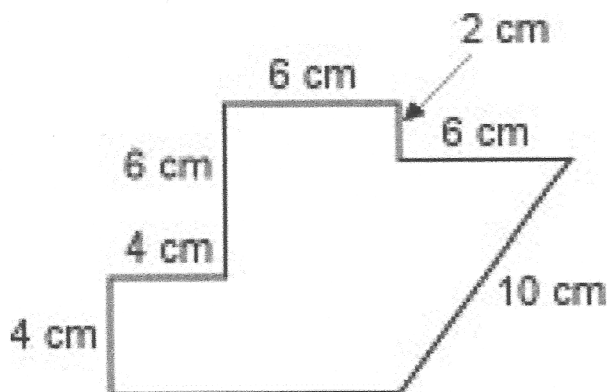
4)

5)



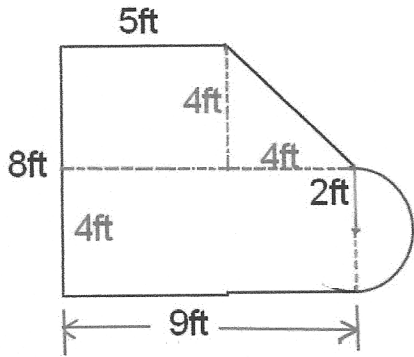
5)

6)



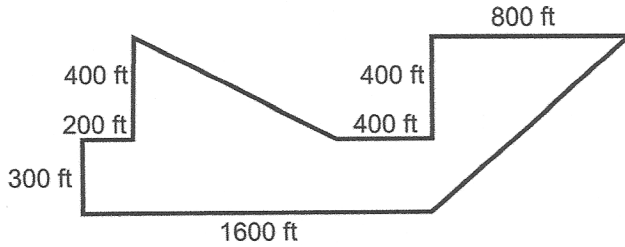
6)

7)



7)

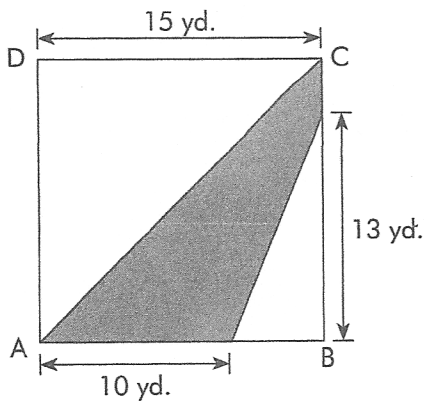
8)



8)

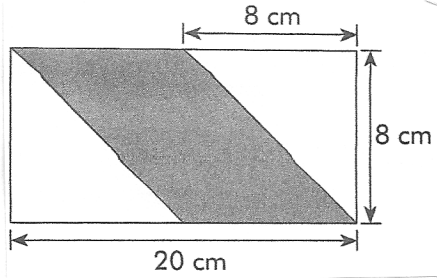
When a figure is inscribed inside another figure, subtract the area of one figure from the other when finding the shaded region between them.

Example:



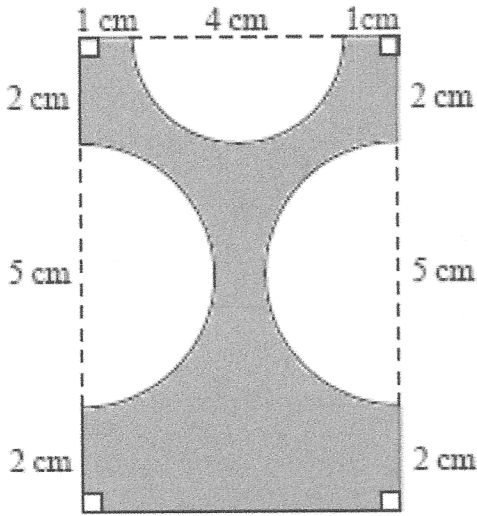
Inscribed Composite Figures Worksheet

9)



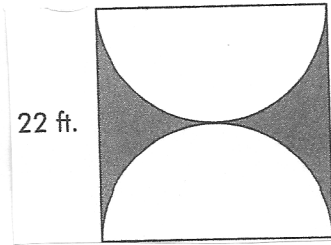
9)

10)



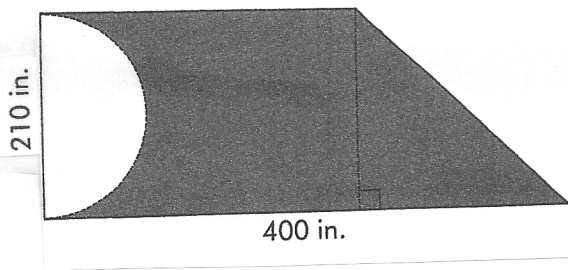
10)

11)



11)

12)



12)