

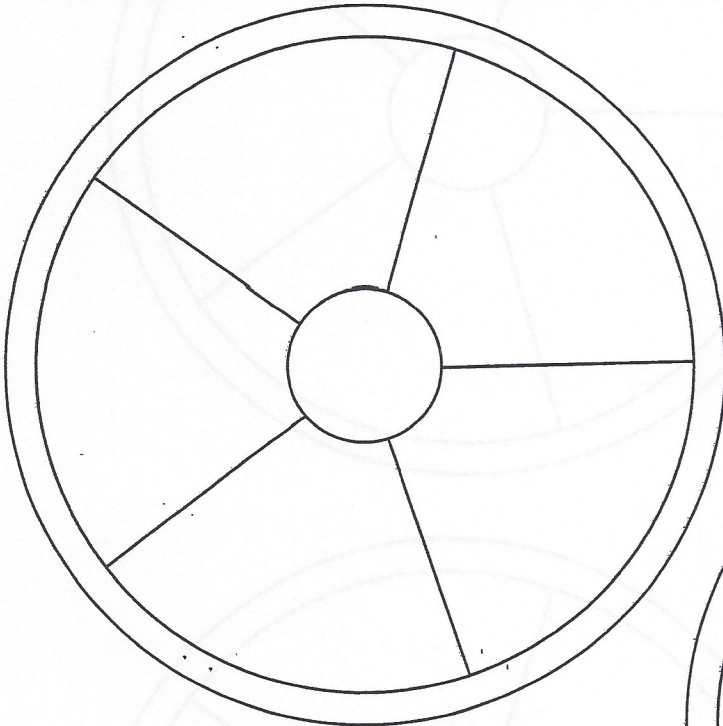
Name \_\_\_\_\_

Period \_\_\_\_\_

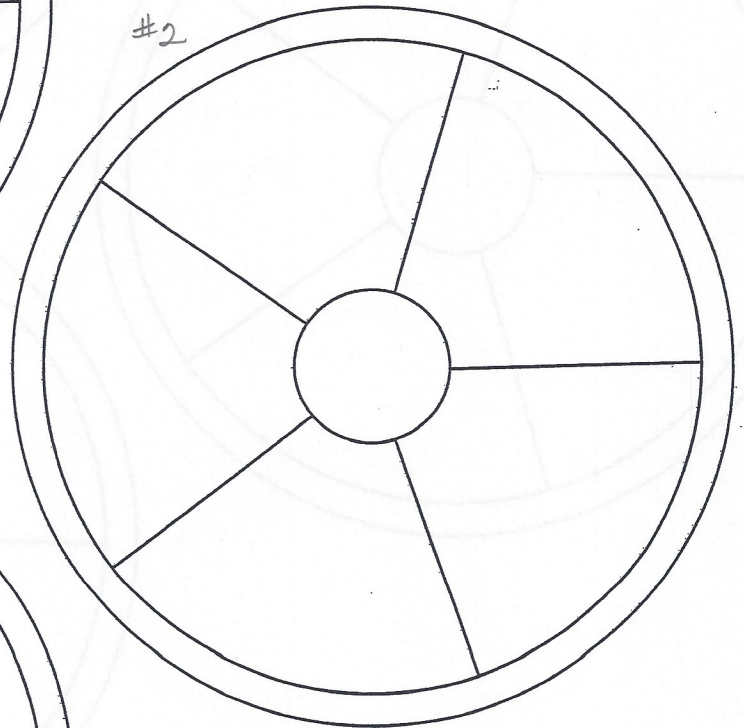
## Order of Operations

Write a different number in the center circle of each wheel. Between the spokes, write five math expressions that have the same value as the number in the center circle. Use at least four math operations for each expression.

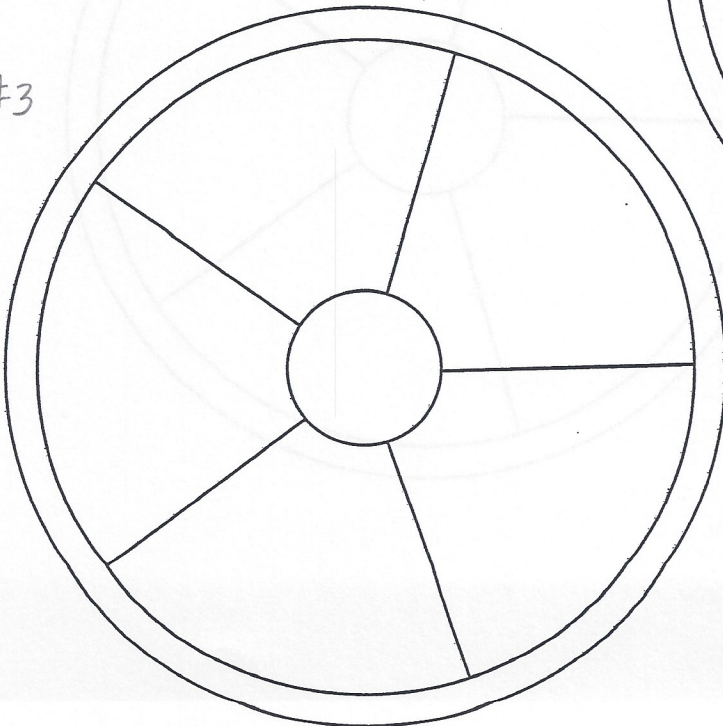
#1



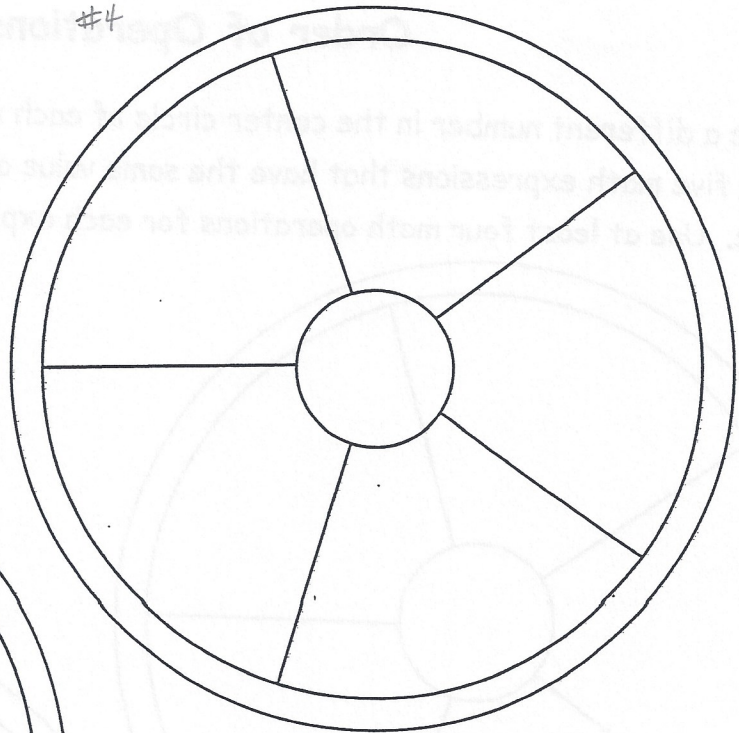
#2



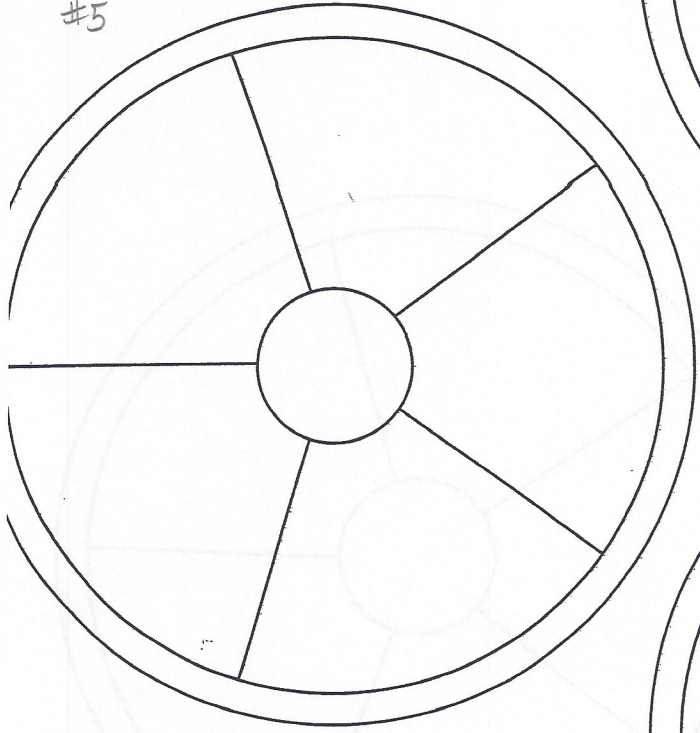
#3



#4



#5



#6

