

NAME _____

REWIND AND REMEMBER #4

(Reg)(20 pts)

Please show your work and turn this in on _____ for a grade.

1) $|-87 - 50|$

2) $-2^2 \div \sqrt{256}$

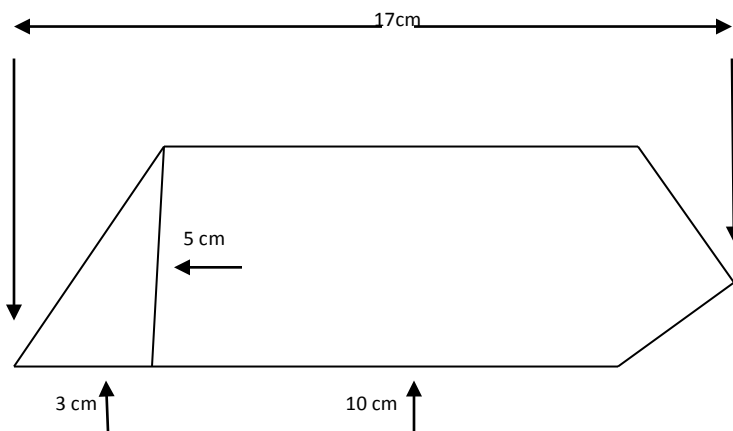
3) Place the following numbers in order from **least to greatest**:

$$3^2 \quad -2 \quad |-8| \quad 4^0 \quad -8 \quad -\frac{15}{3} \quad \frac{0}{5}$$

4) Add:

$$-\frac{1}{3} - \left(-\frac{2}{5} \cdot \frac{15}{26}\right) =$$

5) Find the area of the figure below:



6) $[-(-2)] - (-1) - 5 =$

7) Mildred traveled 120 miles in 3 hours. What was her speed?

8) Show 3 other ways to represent the value of 0.025. Use words, numerals, and/or symbols.

9) Randy's locker combination consists of 3 numbers and then 1 letter. Numbers cannot be used more than once. How many different combinations are possible?

10) Evaluate if $c = 3$ (BE CAREFUL!!)

$$-c^3$$